

Serie **P** Series

Serie di ventilatori a pale rovesce.

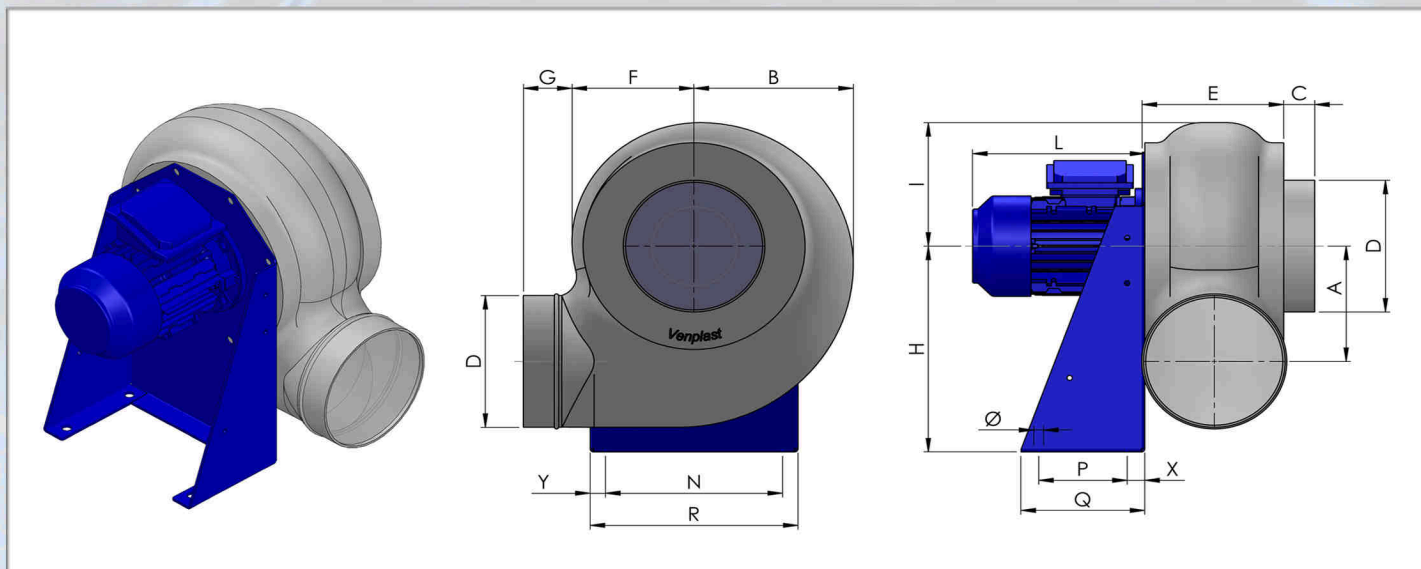
Versioni:

Standard: coclea stampata Pe - girante PP - supporto motore in lamiera di acciaio verniciato polveri - viteria acciaio INOX
ATEX: coclea stampata Pe-el conduttivo - girante PP - supporto motore in lamiera di acciaio verniciato polveri - viteria acciaio INOX

Fans series with backward curved blades.

Versions:

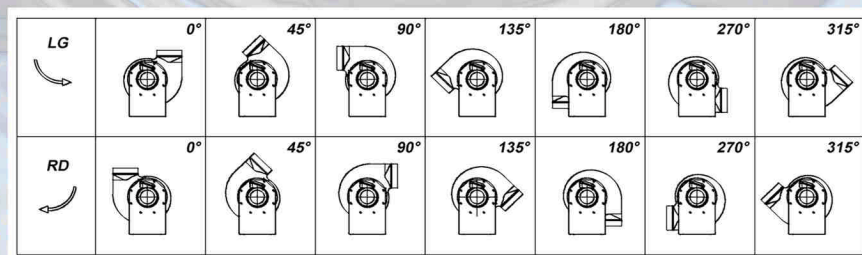
Standard: Pe moulded housing - PP impeller - epoxy painted motor support - stainless steel screws
ATEX: Pe-el antistatic housing - PP impeller - epoxy painted motor support - stainless steel screws



| Tipo Type | Mot.Gr. Size | Mot. Kw | Giri Rpm | A | B | C | D | E | F | G | H | I | L | N | P | Q | R | Y | X | Ø | KG.* | KG.** |
|-----------|--------------|---------|----------|-----|-----|----|-----|-----|-----|----|-----|-----|-----|-----|-----|-----|-----|------|----|----|------|-------|
| P 204 | 63 | 0.12 | 1370 | 140 | 180 | 35 | 160 | 160 | 138 | 55 | 250 | 150 | 190 | 200 | 100 | 140 | 235 | 17,5 | 20 | 11 | 9 | 17 |
| P 202 | 63 | 0.18 | 2750 | 140 | 180 | 35 | 160 | 160 | 138 | 55 | 250 | 150 | 195 | 200 | 100 | 140 | 235 | 17,5 | 20 | 11 | 9 | 17 |
| P 224 | 63 | 0.12 | 1370 | 173 | 228 | 35 | 200 | 185 | 170 | 55 | 310 | 190 | 190 | 255 | 100 | 140 | 290 | 17,5 | 20 | 11 | 10 | 18 |
| P 222 | 63 | 0.25 | 2800 | 173 | 228 | 35 | 200 | 185 | 170 | 55 | 310 | 190 | 210 | 225 | 100 | 140 | 290 | 17,5 | 20 | 11 | 13 | 24 |
| P 254 | 63 | 0.12 | 1370 | 173 | 228 | 35 | 200 | 185 | 170 | 55 | 310 | 190 | 190 | 255 | 100 | 140 | 290 | 17,5 | 20 | 11 | 10 | 18 |
| P 252 | 71 | 0.37 | 2800 | 173 | 228 | 35 | 200 | 185 | 170 | 55 | 310 | 190 | 220 | 255 | 100 | 140 | 290 | 17,5 | 20 | 11 | 13 | 24 |
| P 284 | 63 | 0.18 | 1370 | 208 | 255 | 40 | 225 | 195 | 190 | 70 | 350 | 210 | 190 | 280 | 120 | 190 | 316 | 18 | 35 | 11 | 14 | 23 |
| P 282 | 80 | 0.75 | 2850 | 208 | 255 | 40 | 225 | 195 | 190 | 70 | 350 | 210 | 240 | 280 | 120 | 190 | 316 | 18 | 35 | 11 | 19 | 33 |
| P 316 | 71 | 0.18 | 930 | 240 | 280 | 40 | 250 | 200 | 210 | 70 | 410 | 230 | 210 | 320 | 150 | 230 | 355 | 17,5 | 40 | 11 | 19 | 30 |
| P 314 | 71 | 0.25 | 1400 | 240 | 280 | 40 | 250 | 200 | 210 | 70 | 410 | 230 | 220 | 320 | 150 | 230 | 355 | 17,5 | 40 | 11 | 19 | 30 |
| P 312 | 90 | 1.50 | 2850 | 240 | 280 | 40 | 250 | 200 | 210 | 70 | 410 | 230 | 290 | 320 | 150 | 230 | 355 | 17,5 | 40 | 11 | 26 | 45 |
| P 356 | 71 | 0.18 | 930 | 260 | 312 | 40 | 280 | 237 | 230 | 55 | 445 | 270 | 210 | 355 | 150 | 230 | 390 | 17,5 | 40 | 11 | 23 | 34 |
| P 354 | 71 | 0.37 | 1400 | 260 | 312 | 40 | 280 | 237 | 230 | 55 | 445 | 270 | 220 | 355 | 150 | 230 | 390 | 17,5 | 40 | 11 | 23 | 34 |
| P 352 | 90 | 2.20 | 2870 | 260 | 312 | 40 | 280 | 237 | 230 | 55 | 445 | 270 | 290 | 355 | 150 | 230 | 390 | 17,5 | 40 | 11 | 32 | 51 |
| P 406 | 71 | 0.25 | 920 | 290 | 356 | 40 | 315 | 252 | 264 | 55 | 495 | 295 | 220 | 325 | 170 | 250 | 365 | 20 | 40 | 11 | 30 | 41 |
| P 404 | 80 | 0.55 | 1410 | 290 | 356 | 40 | 315 | 252 | 264 | 55 | 495 | 295 | 240 | 325 | 170 | 250 | 365 | 20 | 40 | 11 | 33 | 47 |
| P 456 | 80 | 0.37 | 920 | 324 | 400 | 40 | 355 | 287 | 295 | 55 | 550 | 330 | 240 | 370 | 170 | 250 | 410 | 20 | 40 | 11 | 37 | 51 |
| P 454 | 90 | 1.10 | 1410 | 324 | 400 | 40 | 355 | 287 | 395 | 55 | 550 | 330 | 290 | 370 | 170 | 250 | 410 | 20 | 40 | 11 | 40 | 61 |
| P 452 | 100 | 4.0 | 2860 | 324 | 400 | 40 | 355 | 287 | 295 | 55 | 550 | 330 | 415 | 370 | 270 | 340 | 410 | 20 | 40 | 11 | 57 | 72 |

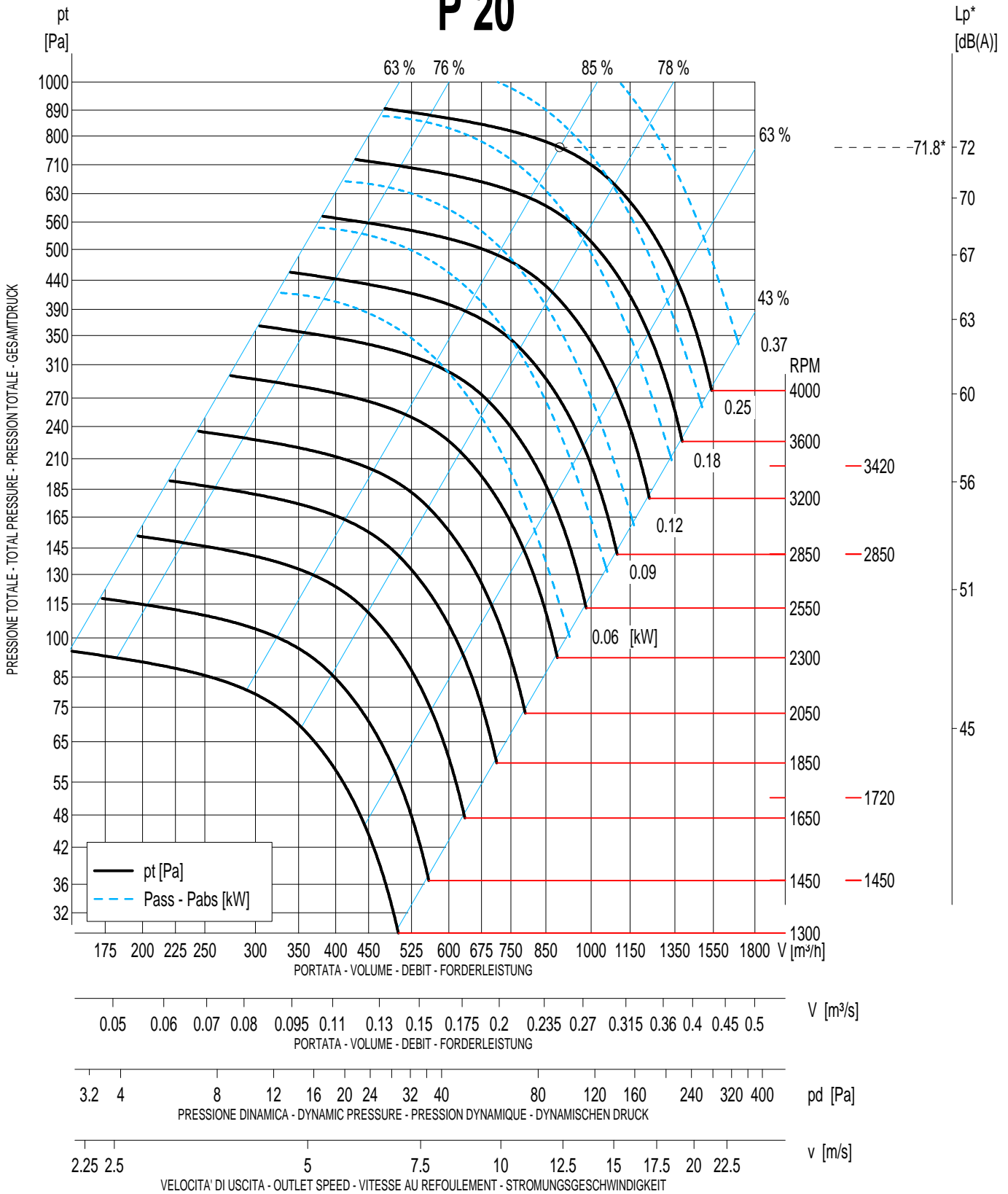
* esecuzione con motore standard – standard motor execution

** esecuzione ATEX – ATEX execution



Venplast srl

P 20



| Livello potenza sonora totale - Total sound power level - Gesamt schalleistungspegel - Niveau totale de puissance sonore - [dB] * | | | | | | | | | |
|---|---|------|------|------|------|------|------|------|--------------|
| RPM | Banda d'ottava - Octave band - Oktav-Band - Bande d'octave [Hz] | | | | | | | | Lp* dB(A) |
| | 63 | 125 | 250 | 500 | 1000 | 2000 | 4000 | 8000 | |
| 1450 | 62.3 | 64.3 | 65.3 | 60.3 | 59.3 | 54.3 | 46.3 | 38.3 | 49 |
| 1720 | 66.1 | 68.1 | 69.1 | 64.1 | 63.1 | 58.1 | 50.1 | 42.1 | 53 |
| 2000 | 69.5 | 71.5 | 72.5 | 67.5 | 66.5 | 61.5 | 53.5 | 45.5 | 56 |
| 2850 | 77.3 | 79.3 | 77.3 | 78.3 | 74.3 | 69.3 | 61.3 | 53.3 | 64.7 |
| 3420 | 81.3 | 83.3 | 81.3 | 82.3 | 78.3 | 73.3 | 65.3 | 57.3 | 68.7 |

(*) Al massimo rendimento - At max. efficiency - (Distanza-distance-abstand-distance : 1.5 [m])

Temperatura - Temperature - Temperatur - Température : 15 [°] - Densità - Density - Bezugsdichte - Densité : 1.225 [kg/m³]

Tolleranza sulla portata ±5% - Capacity tolerance ±5% - Tolérance sur le débit ±5% - Fördertoleranz ±5%

I valori relativi alla rumorosità sono riferiti ad una misurazione in campo libero, con una tolleranza di +3 dB(A)

Noise values refer to a free field measurement with a tolerance of +3 dB(A)

Les valeurs relatives à la bruyance se réfèrent à un mesurage en champ libre, avec une tolérance de +3 dB(A)

Die die Geräuschentwicklung betreffenden Werte beziehen sich auf eine Freifeld-Messung bei einer Toleranz von +3 dB(A)

PD² - WD² - GD² - PD² : 0.003 kgm²