

Serie **PR50-56-63** Series

Serie di ventilatori a pale curve rovesce.

Versioni:

Standard: coclea stampata Pe - girante costruita PP/INOX/Fe ebanitata - supporto motore in lamiera di acciaio verniciato polveri - viteria acciaio INOX

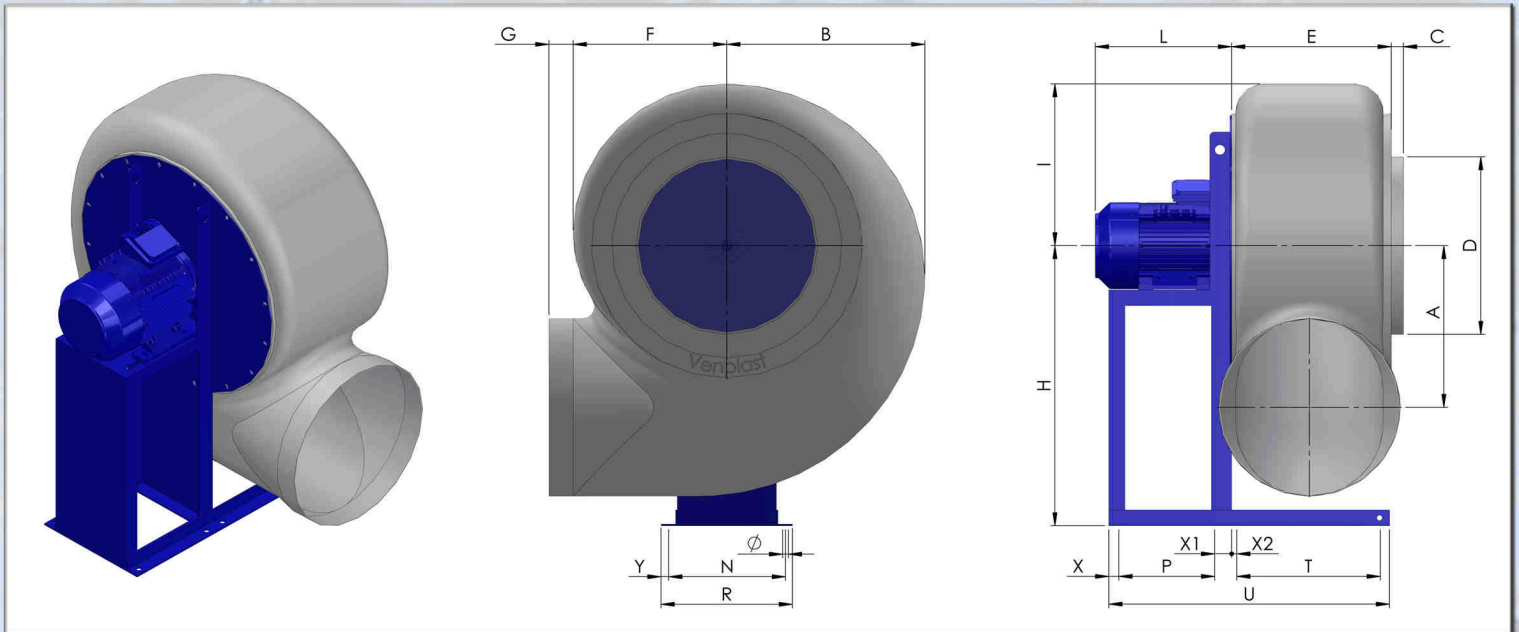
ATEX: coclea stampata Pe-el conduttivo - girante costruita PP-el/INOX/Fe ebanitata - supporto motore in lamiera di acciaio verniciato polveri - viteria acciaio INOX

Fans series with backward curved blades.

Versions:

Standard: Pe moulded housing - PP/INOX/Fe+ebonite impeller - epoxy painted motor support - stainless steel screws

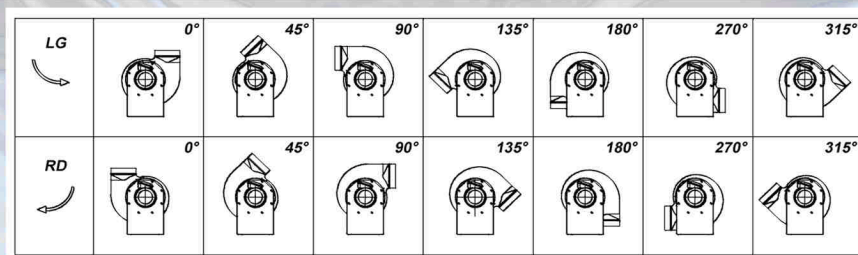
ATEX: Pe-el antistatic moulded housing - PP/INOX/Fe+ebonite welded impeller - epoxy painted motor support - stainless steel screws



| Tipo Type | Mot.Gr. Size | Mot. Kw | Giri Rpm | A | B | C | D | E | F | G | H | I | L | N | P | T | U | X | X1 | X2 | Y | Ø | KG* | KG** |
|-----------|--------------|---------|----------|-----|-----|----|-----|-----|-----|----|-----|-----|-----|-----|-----|-----|-----|----|----|----|----|----|-----|------|
| PR506 | 80 | 0.55 | 950 | 360 | 460 | 50 | 400 | 355 | 355 | 80 | 630 | 395 | 250 | 289 | 197 | 335 | 636 | 25 | 30 | 15 | 18 | 14 | 62 | 68 |
| PR504 | 100 | 2.2 | 1450 | 360 | 460 | 50 | 400 | 355 | 355 | 80 | 630 | 395 | 300 | 289 | 197 | 335 | 636 | 25 | 30 | 15 | 18 | 14 | 70 | 77 |
| PR502 | 160 | 11 | 2850 | 360 | 460 | 50 | 400 | 355 | 355 | 80 | 630 | 395 | 550 | 385 | 345 | 335 | 781 | 25 | 30 | 15 | 18 | 14 | 130 | 152 |
| PR566 | 90 | 1.1 | 950 | 410 | 490 | 50 | 450 | 365 | 380 | 80 | 710 | 410 | 330 | 289 | 237 | 355 | 696 | 25 | 40 | 15 | 18 | 14 | 87 | 95 |
| PR564 | 112 | 4 | 1450 | 410 | 490 | 50 | 450 | 365 | 380 | 80 | 710 | 410 | 340 | 289 | 237 | 355 | 696 | 25 | 40 | 15 | 18 | 14 | 110 | 120 |
| PR562 | 180 | 22 | 2850 | 410 | 490 | 50 | 450 | 365 | 380 | 80 | 710 | 410 | 620 | 445 | 435 | 355 | 889 | 25 | 40 | 15 | 18 | 14 | 230 | --- |
| PR636 | 112 | 2.2 | 950 | 445 | 610 | 50 | 500 | 415 | 420 | 80 | 800 | 505 | 340 | 337 | 237 | 400 | 741 | 25 | 40 | 15 | 18 | 14 | 102 | 110 |
| PR634 | 132 | 5.5 | 1450 | 445 | 610 | 50 | 500 | 415 | 420 | 80 | 800 | 505 | 420 | 337 | 237 | 400 | 741 | 25 | 40 | 15 | 18 | 14 | 112 | 131 |
| PR632 | 200 | 30 | 2850 | 445 | 610 | 50 | 500 | 415 | 420 | 80 | 800 | 505 | 635 | 549 | 520 | 400 | 102 | 25 | 40 | 15 | 18 | 14 | 210 | --- |

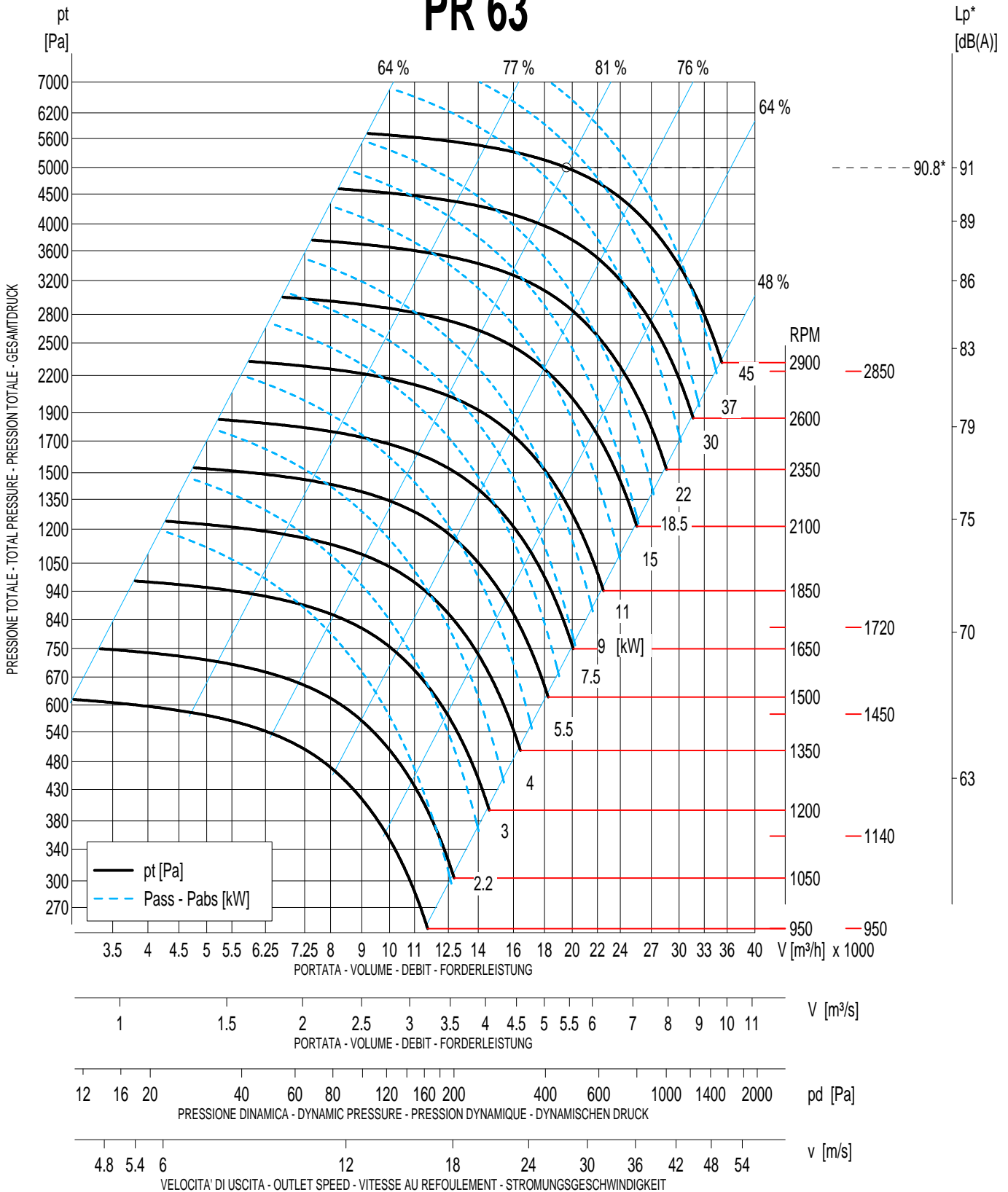
* esecuzione con motore standard – standard motor execution

** esecuzione ATEX – ATEX execution



Venplast srl

PR 63



| Livello potenza sonora totale - Total sound power level - Gesamt schalleistungspegel - Niveau totale de puissance sonore - [dB] * | | | | | | | | | |
|---|---|-------|-------|-------|-------|------|------|------|--------------|
| RPM | Banda d'ottava - Octave band - Oktav-Band - Bande d'octave [Hz] | | | | | | | | Lp* dB(A) |
| | 63 | 125 | 250 | 500 | 1000 | 2000 | 4000 | 8000 | |
| 950 | 78.9 | 80.9 | 81.9 | 76.9 | 75.9 | 70.9 | 62.9 | 54.9 | 65.1 |
| 1450 | 88.3 | 90.3 | 91.3 | 86.3 | 85.3 | 80.3 | 72.3 | 64.3 | 75 |
| 1750 | 92.4 | 94.4 | 95.4 | 90.4 | 89.4 | 84.4 | 76.4 | 68.4 | 79 |
| 2000 | 95.4 | 97.4 | 95.4 | 96.4 | 92.4 | 87.4 | 79.4 | 71.4 | 82.8 |
| 2900 | 103.6 | 105.6 | 103.6 | 104.6 | 100.6 | 95.6 | 87.6 | 79.6 | 90.8 |

(* Al massimo rendimento - At max. efficiency - (Distanza-distance-abstand-distance : 1.5 [m])

Temperatura - Temperature - Temperatur - Température : 15 [°] - Densità - Density - Bezugsdichte - Densité : 1.225 [kg/m³]

Tolleranza sulla portata ±5% - Capacity tolerance ±5% - Tolérance sur le débit ±5% - Fördertoleranz ±5%

I valori relativi alla rumorosità sono riferiti ad una misurazione in campo libero, con una tolleranza di +3 dB(A)

Noise values refer to a free field measurement with a tolerance of +3 dB(A)

Les valeurs relatives à la bruyance se réfèrent à un mesurage en champ libre, avec une tolérance de +3 dB(A)

Die die Geräuschentwicklung betreffenden Werte beziehen sich auf eine Freifeld-Messung bei einer Toleranz von +3 dB(A)

PD² - WD² - GD² - PD² : 6.2 kgm²